

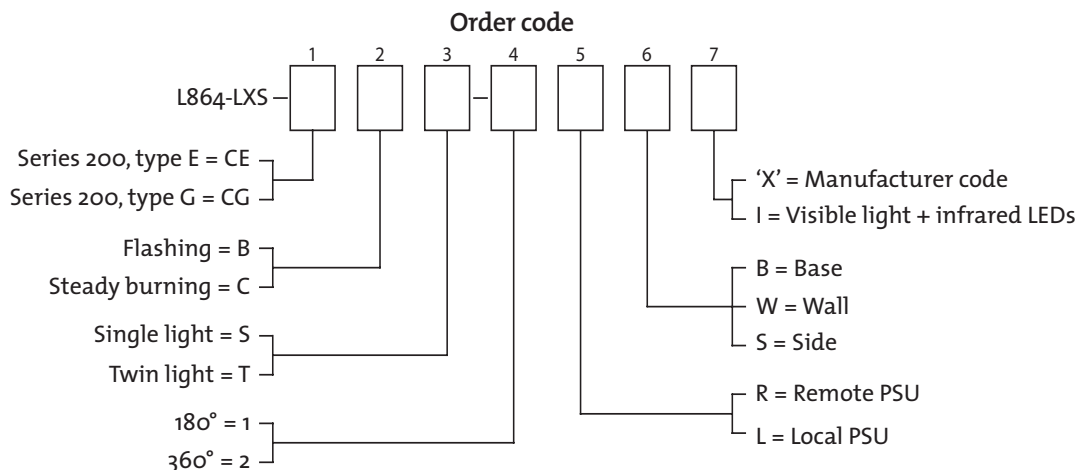
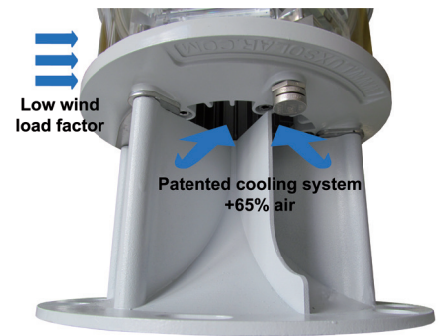
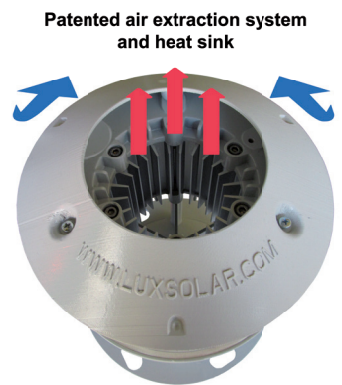
MIOL-B
MIOL-C

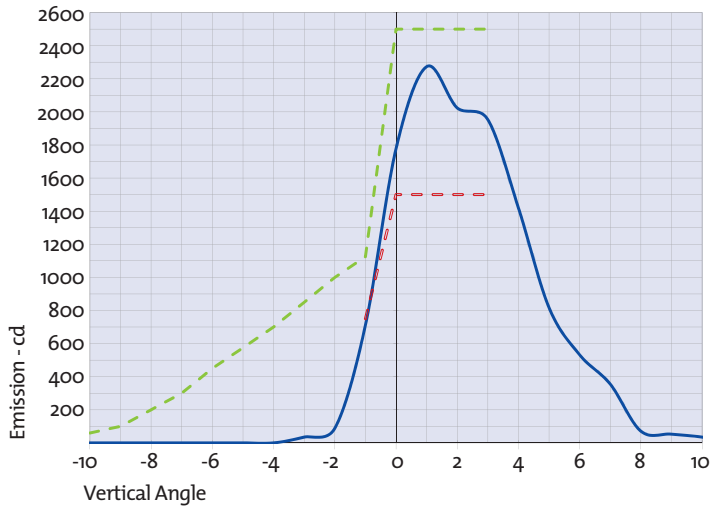


MEDIUM INTENSITY

Medium intensity obstruction light multiled type, compliance to ICAO type B/C, and FAA L-864, single or twin, night only.

- Based on LED technology
- Steady burning red light for MIOL-C
- Flashing red light for MIOL-B (20-60 fpm)
- Visible red light + infrared emission (see code 7)
- Long life time >10+ years expectancy
- Stabilized light output
- Inertized internal atmosphere
- Borosilicate cover protection
- Protection degree: IP 66
- Weight: 3,7 kg
- Power consumption for MIOL-C: 54W (230VAC), 39W (24VDC)
- Power consumption for MIOL-B @20fpm: 9,3W (230VAC), 3,1W (24VDC)
- Power consumption for MIOL-B @60fpm: 12,9W (230VAC), 5,7W (24VDC)

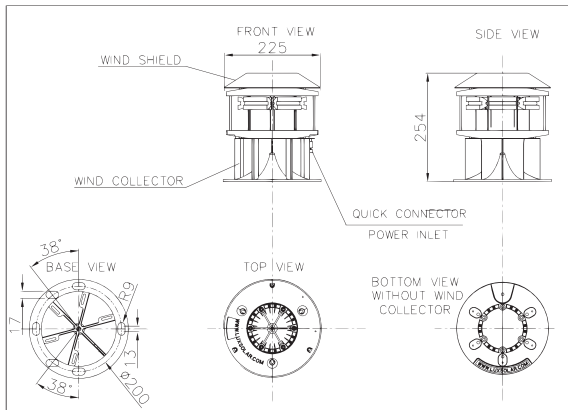




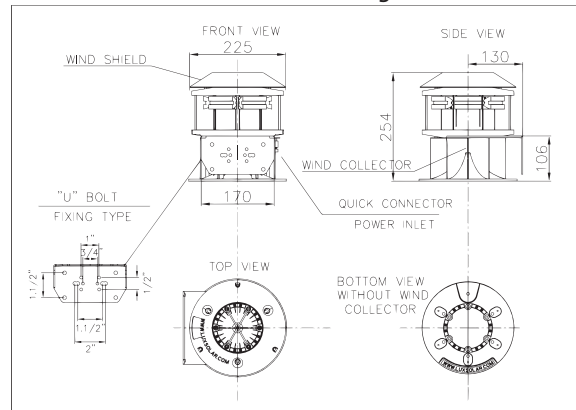
- L864-LXS-B average emission level at 90°C ambient temperature
- - - ICAO ANNEX 14 medium intensity type B/C Minimum Required Intensity
- - - ICAO ANNEX 14 medium intensity type B/C Maximum Required Intensity

Order code 6

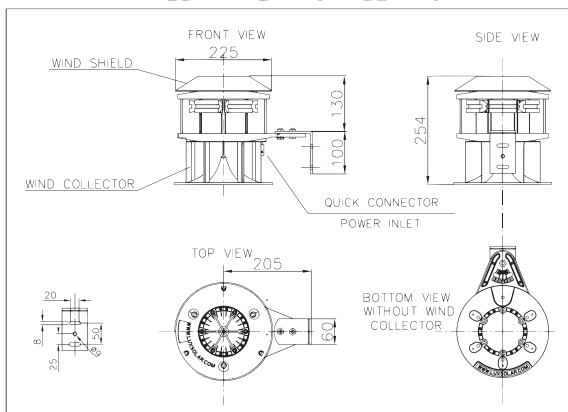
B = Base



S = Side mounting



W = Wall mounting



Available versions

L864-LXS-200-BS... L864-LXS-200-BT...
L864-LXS-200-CS... L864-LXS-200-CT...

