

# MIOL-A

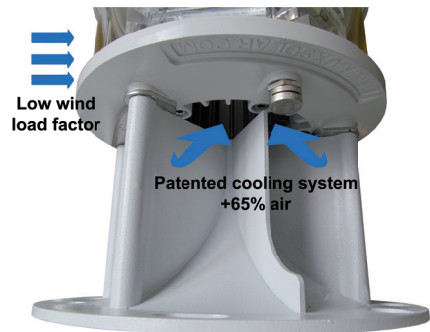


## MEDIUM INTENSITY

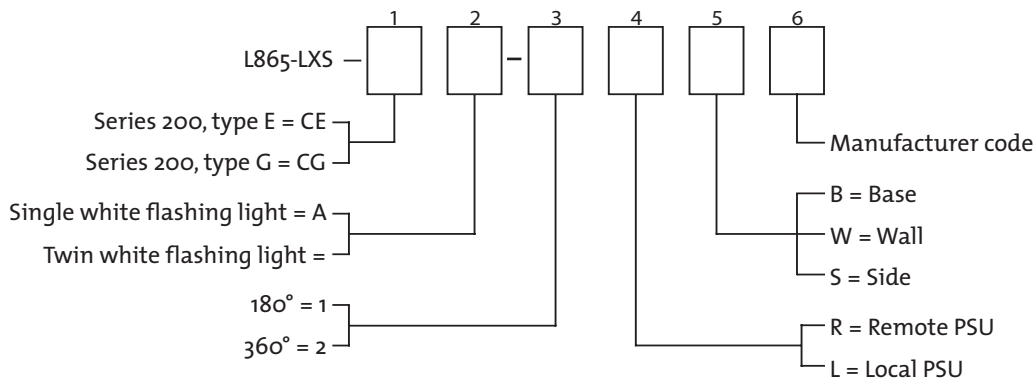
Medium intensity obstruction light multiled type, compliance to ICAO type A and FAA L-865, single or twin, day and night.

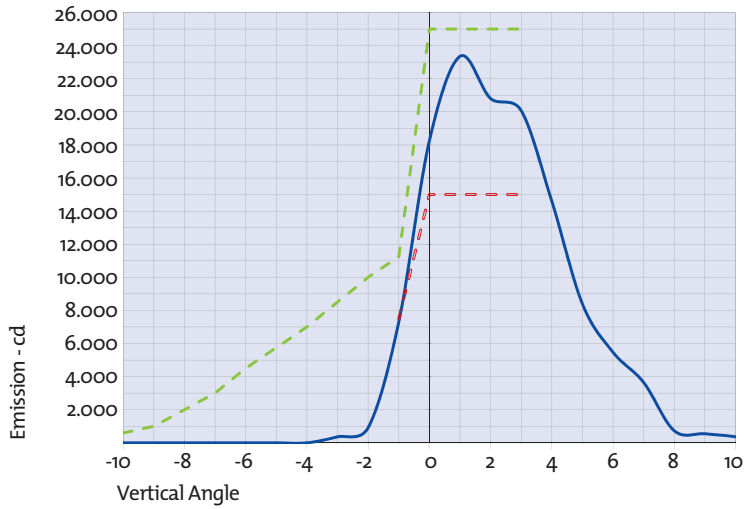
- Based on LED technology
- Flashing white light (20-60 fpm) in day and night mode
- Long life time >10+ years expectancy
- Stabilized light output
- Inertized internal atmosphere
- Borosilicate cover protection
- Protection degree: IP 66
- Weight: from 3,7 kg
- Power consumption for day mode @20fpm: 51W
- Power consumption for night mode @20fpm: 12,9W
- Power consumption for day mode @60fpm: 90W
- Power consumption for night mode @60fpm: 23W

Patented air extraction system and heat sink



### Order code

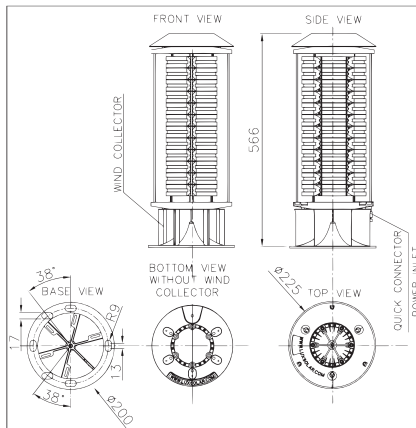




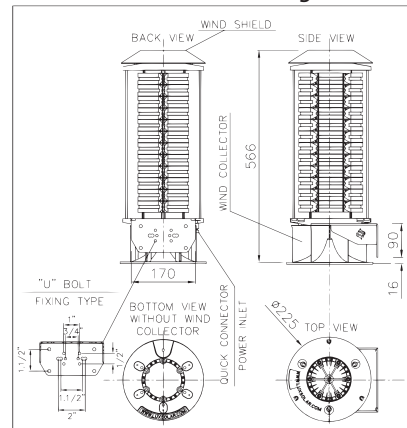
- L865-LXS-A average emission level at 90°C ambient temperature
- - - ICAO ANNEX 14 medium intensity type A Minimum Required Intensity
- - - ICAO ANNEX 14 medium intensity type A Maximum Required Intensity

Order code 5

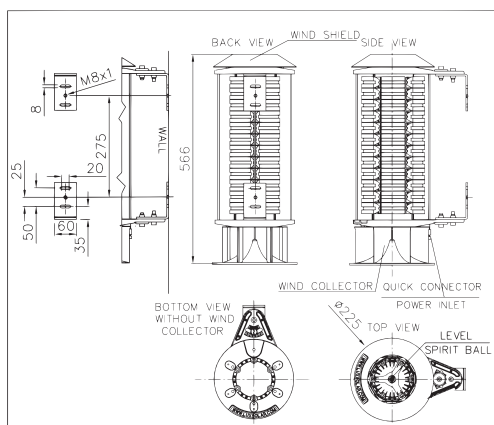
B = Base



S = Side mounting



W = Wall mounting



Available versions

L856-LXS-200-AA1...	L856-LXS-200-BA1...	L856-LXS-200-CA1...
L856-LXS-200-AB1...	L856-LXS-200-BB1...	L856-LXS-200-CB1...
L856-LXS-200-AC1...	L856-LXS-200-BC1...	L856-LXS-200-CC1...
L856-LXS-200-AA2...	L856-LXS-200-BA2...	L856-LXS-200-CA2...
L856-LXS-200-AB2...	L856-LXS-200-BB2...	L856-LXS-200-CB2...
L856-LXS-200-AC2...	L856-LXS-200-BC2...	L856-LXS-200-CC2...
L856-LXS-200-AA3...	L856-LXS-200-BA3...	L856-LXS-200-CA3...
L856-LXS-200-AB3...	L856-LXS-200-BB3...	L856-LXS-200-CB3...
L856-LXS-200-AC3...	L856-LXS-200-BC3...	L856-LXS-200-CC3...

