

TB-FL-RVDL HIGH BAY

LED HIGH BAY
>130.000 hours lifetime



Conventional high bay luminaires are being replaced or not considered anymore for new installations as more and more users are looking for LED solutions in order to achieve reductions on energy (lower CO₂ emissions), maintenance and costs. With the **Fit & Forget** and **sealed for life TB-FL-RVDL high bay** the user is getting the best of both worlds:

On one end the savings on energy consumption of the **TB-FL-RVDL high bay**, based on light output, in comparison with the traditional HPS or HQL lamps is significant. **The TB-FL-RVDL high bay replaces conventional high bay luminaires up to 250W up to 400W (HPS, HQI and HQL)**

On the other end, the **TB-FL-RVDL high bay** comes with an **extreme long life time with a maintained high light output for > 130.000 hours and an 8 year operational warranty***. This will save the user a lot of operational costs in maintenance, scaffolding, replacements etc. For the new build projects the **TB-FL-RVDL high bay** ensures the user a **favorable Total Cost of Ownership**.

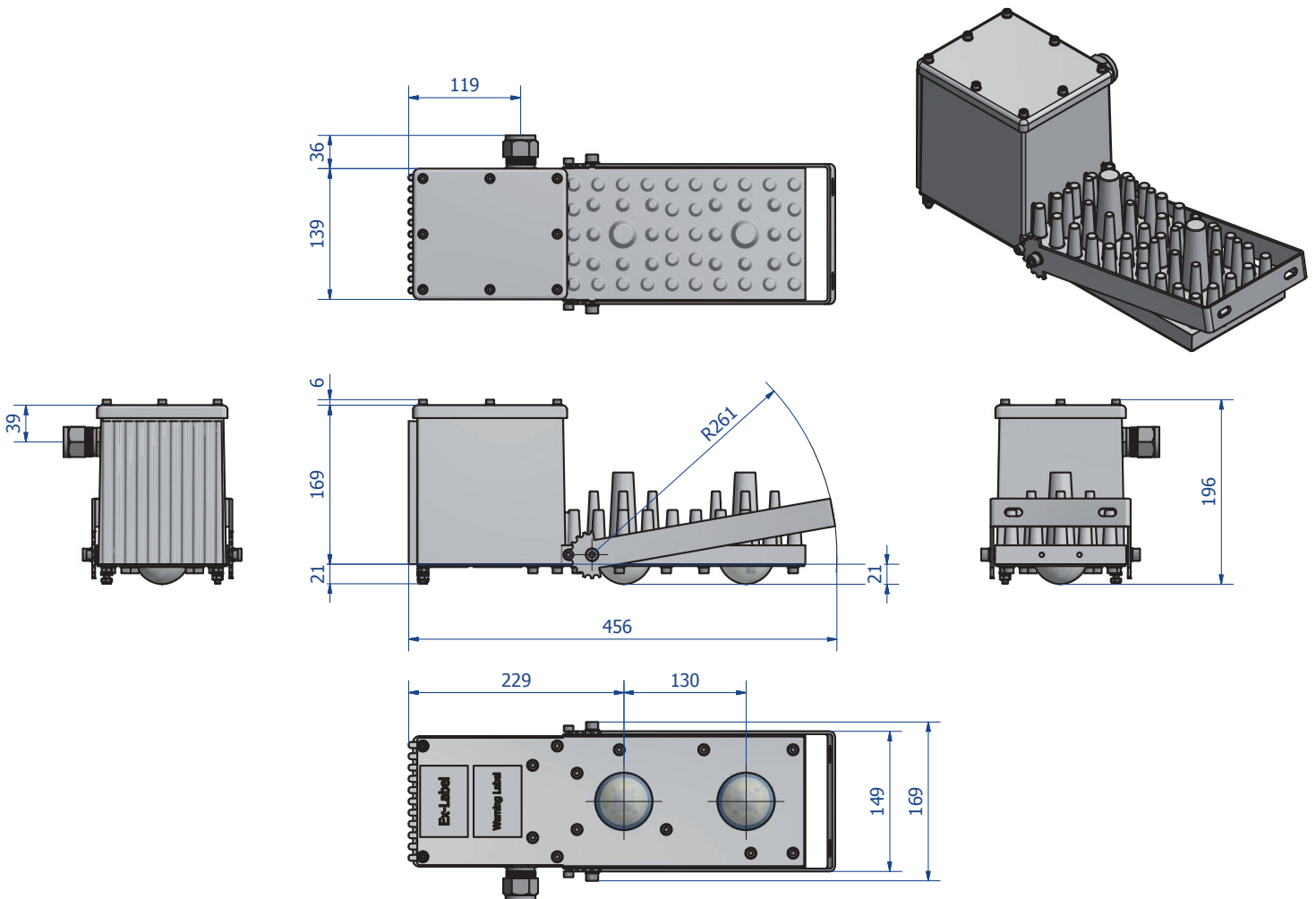
Features:

- + L80B10 at 70.000 hours, L70B50 at 135.000 hours
- + Sealed for life
- + 8 years operational warranty*
- + Fit & Forget
- + In accordance with ATEX and IECEx regulations, suitable for use in Zone 1 and 2 (category 2 and 3)
- + Easy and quick installation
- + Lightweight at 15Kgs
- + Light output is >15.000 Lumens
- + 118 Watt
- + Multi voltage 110 - 264Vac 50/60Hz
- + LED, color 4000K, Mac Adam Step 3
- + Wide beam (70°) high bay application
- + Housing made of anodized seawater resistant aluminium
- + Tempered glass lenses, preventing risk of UV radiation and static charge
- + External hardware in stainless steel 316L
- + Fully recyclable
- + Power factor >0.9
- + 135 Lumens/Watt

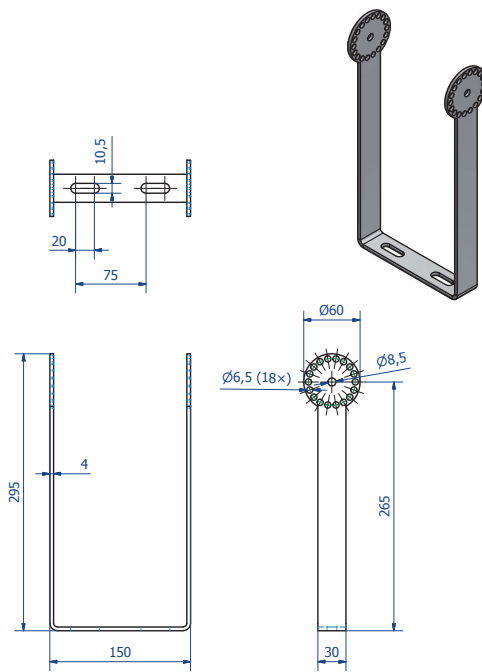
*Conditions apply

General specifications:

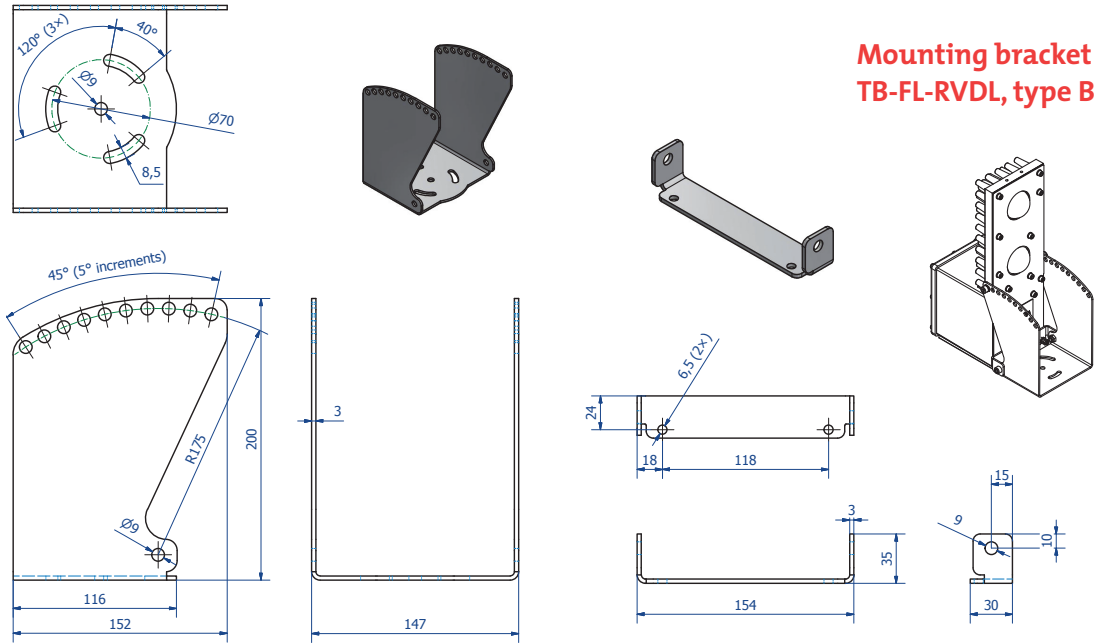
IECEX certificate:	IECEX INE 17.0040X
ATEX certificate:	INERIS 17ATEX0047X
Ex code:	Ex db IIC T3 Gb
Ingress protection:	IP66
ATEX classification:	Ⓜ II2G
Applied standards:	EN-IEC60079-0; EN-IEC 60079-1; EN 55015; EN-IEC 61000-3-2, EN-IEC 61000-3-3, EN-IEC 61547
Ambient temperature range:	-40°C up to 50°C
Electrical connection:	Standard with 6 meter flying lead, type YMvK-as 2x2,5sqmm
Mounting bracket:	See options furtheron



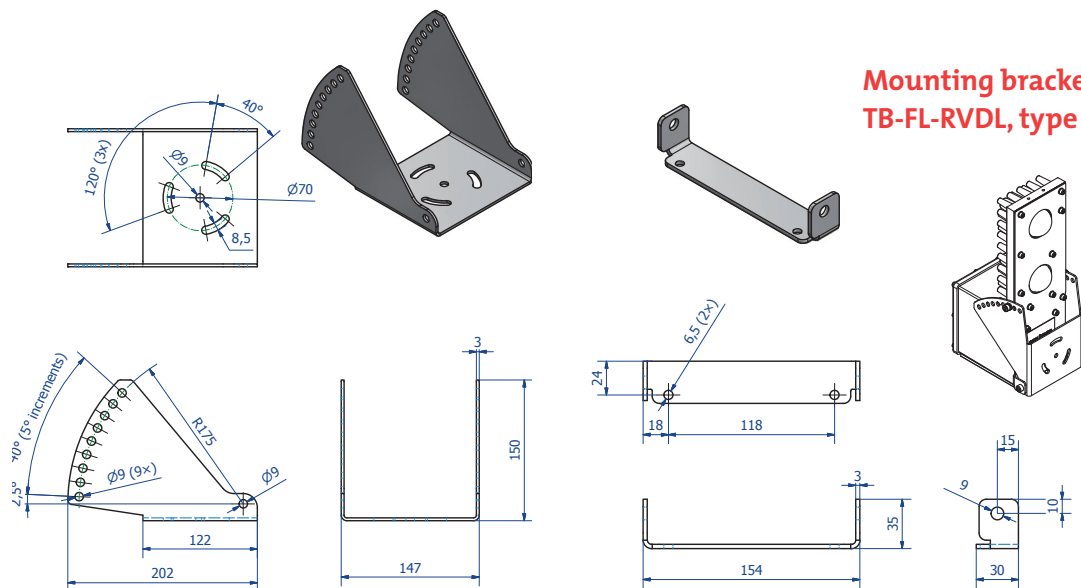
**Mounting bracket
TB-FL-RVDL, type A**



**Mounting bracket
TB-FL-RVDL, type B**



**Mounting bracket
TB-FL-RVDL, type C**



Model	Article code	Wattage	Voltage	Weight	Flying lead
TB-FL-RVDL High Bay	EBB4O2IA15A	118W	110-264Vac 50/60Hz	15Kg	6 meters braided cable, type YMvK-as 2x2,5mm ²
TB-FL-RVDL High Bay	EBB4O2IA15Y	118W	110-264Vac 50/60Hz	15Kg	...* meters braided cable, type**

Mounting brackets***

Model	Article code	Material
Type A	EA0045	Stainless steel 316L
Type B	EA0046	Stainless steel 316L
Type C	EA0047	Stainless steel 316L

* = Length to be specified by customer

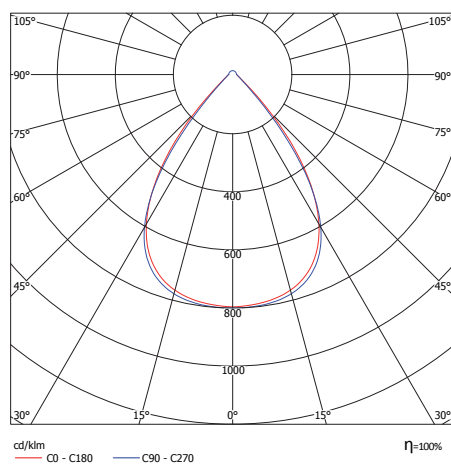
** = type is to be specified by customer

*** = to added with the luminaire

Optional:

- + Customized mounting brackets
- + Safety wire
- + Industrial version
- + Dimmable version using DALI protocol
- + Various cable types (length and type to be specified by user)

Light distribution curve



Details for light calculations available upon request

