

TB-FL-RVDL FLOODLIGHT

LED floodlight
>130.000 hours lifetime



Conventional floodlights are being replaced or not considered anymore for new installations as more and more users are looking for LED solutions in order to achieve reductions on energy (lower CO₂ emissions), maintenance and costs. With the **Fit & Forget** and **sealed for life TB-FL-RVDL floodlight** the user is getting the best of both worlds: On one end the savings on energy consumption of the **TB-FL-RVDL floodlight**, based on light output, in comparison with the traditional HPS of HQL lamps is significant. **The TB-FL-RVDL floodlights replaces conventional floodlights 250W up to 400W (HPS, HQI and HQL).**

On the other end, the **TB-FL-RVDL floodlights** comes with an **extreme long life time with a maintained high light output for > 130.000 hours and an 8 year operational warranty***. This will save the user a lot of operational costs in maintenance, scaffolding, replacements etc. For the new build projects the **TB-FL-RVDL floodlight** ensures the user a **favorable Total Cost of Ownership**.

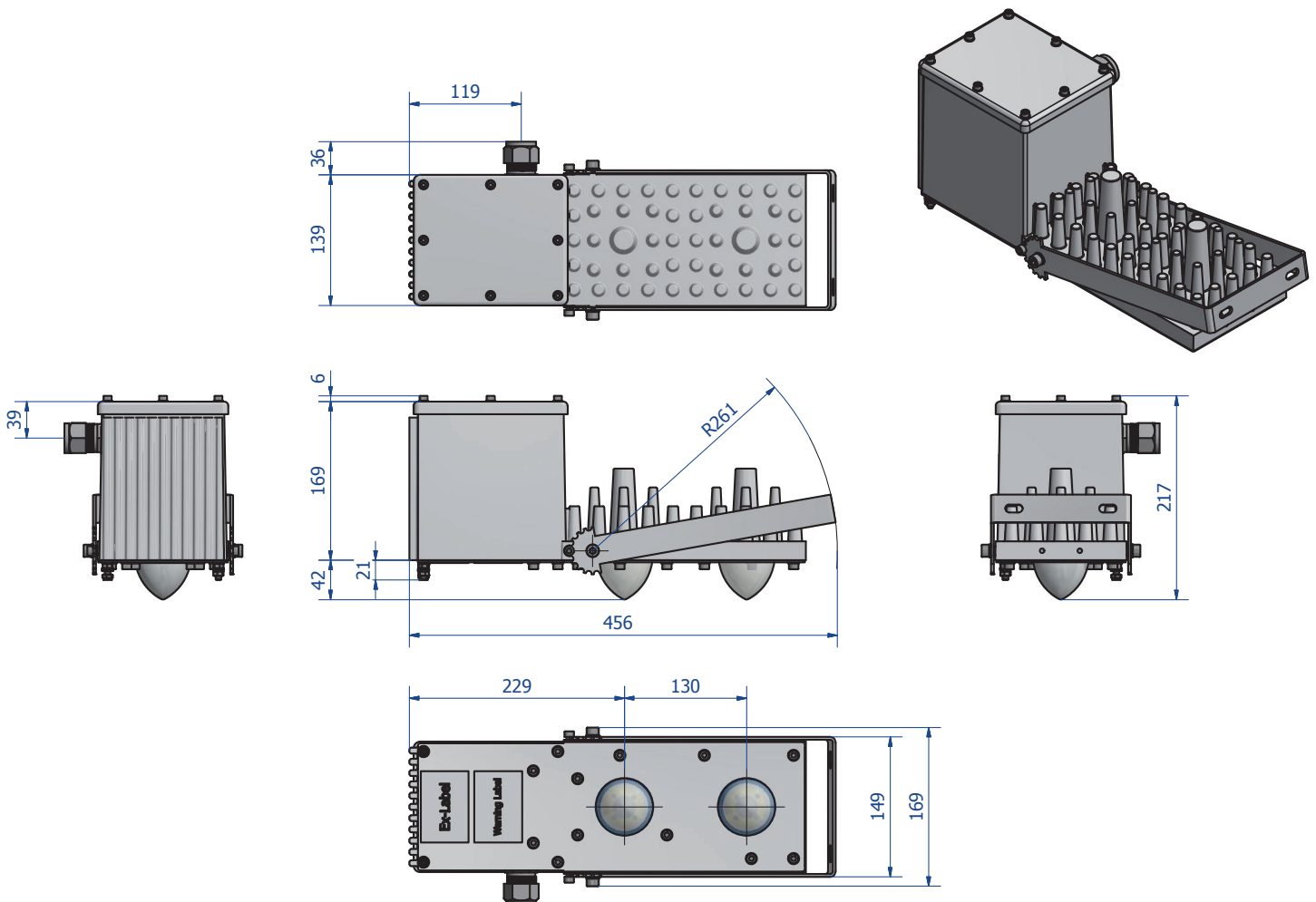
Features:

- + L80B10 at 70.000 hours, L70B50 at 135.000 hours
- + Sealed for life
- + 8 years operational warranty*
- + Fit & Forget
- + In accordance with ATEX and IECEx regulations, suitable for use in Zone 1 and 2 (category 2 and 3)
- + Easy and quick installation
- + Lightweight at 15Kgs
- + Light output is >15.000 Lumens
- + 118 Watt
- + Multi voltage 110 - 264Vac 50/60Hz
- + LED, color 4000K, Mac Adam Step 3
- + Narrow beam (30°) floodlight application
- + Housing made of anodized seawater resistant aluminium
- + Tempered glass lenses, preventing risk of UV radiation and static charge
- + External hardware in stainless steel 316L
- + Fully recyclable
- + Power factor >0.9
- + 135 Lumens/Watt

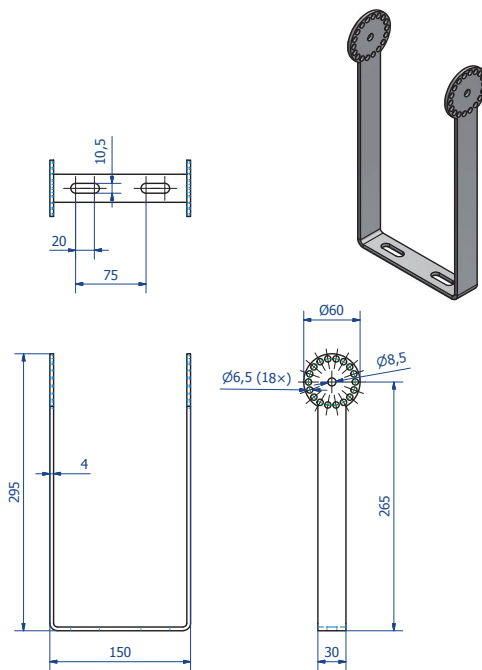
*Conditions apply

General specifications:

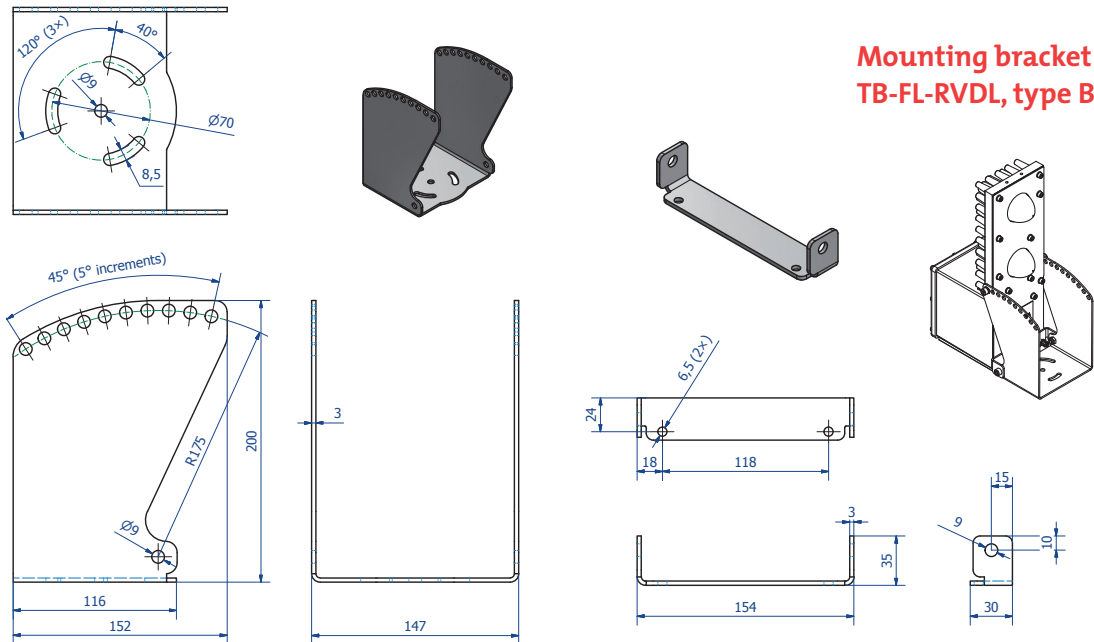
IECEX certificate:	IECEX INE 17.0040X
ATEX certificate:	INERIS 17ATEX0047X
Ex code:	Ex db IIC T3 Gb
Ingress protection:	IP66
ATEX classification:	⊕ II 2G
Applied standards:	EN-IEC60079-0; EN-IEC 60079-1; EN 55015; EN-IEC 61000-3-2, EN-IEC 61000-3-3, EN-IEC 61547
Ambient temperature range:	-40°C up to 50°C
Electrical connection:	Standard with 6 meter flying lead, type YMVK-as 2x2,5sqmm
Mounting bracket:	See options furtheron



**Mounting bracket
TB-FL-RVDL, type A**



**Mounting bracket
TB-FL-RVDL, type B**



**Mounting bracket
TB-FL-RVDL, type C**

